

Drawing



HENDI

Tools for Chefs

Hendi B.V.

Steenoven 21
3911 TX Rhenen
The Netherlands

Batch #

000000 and up

Appliance part#

282731

Description

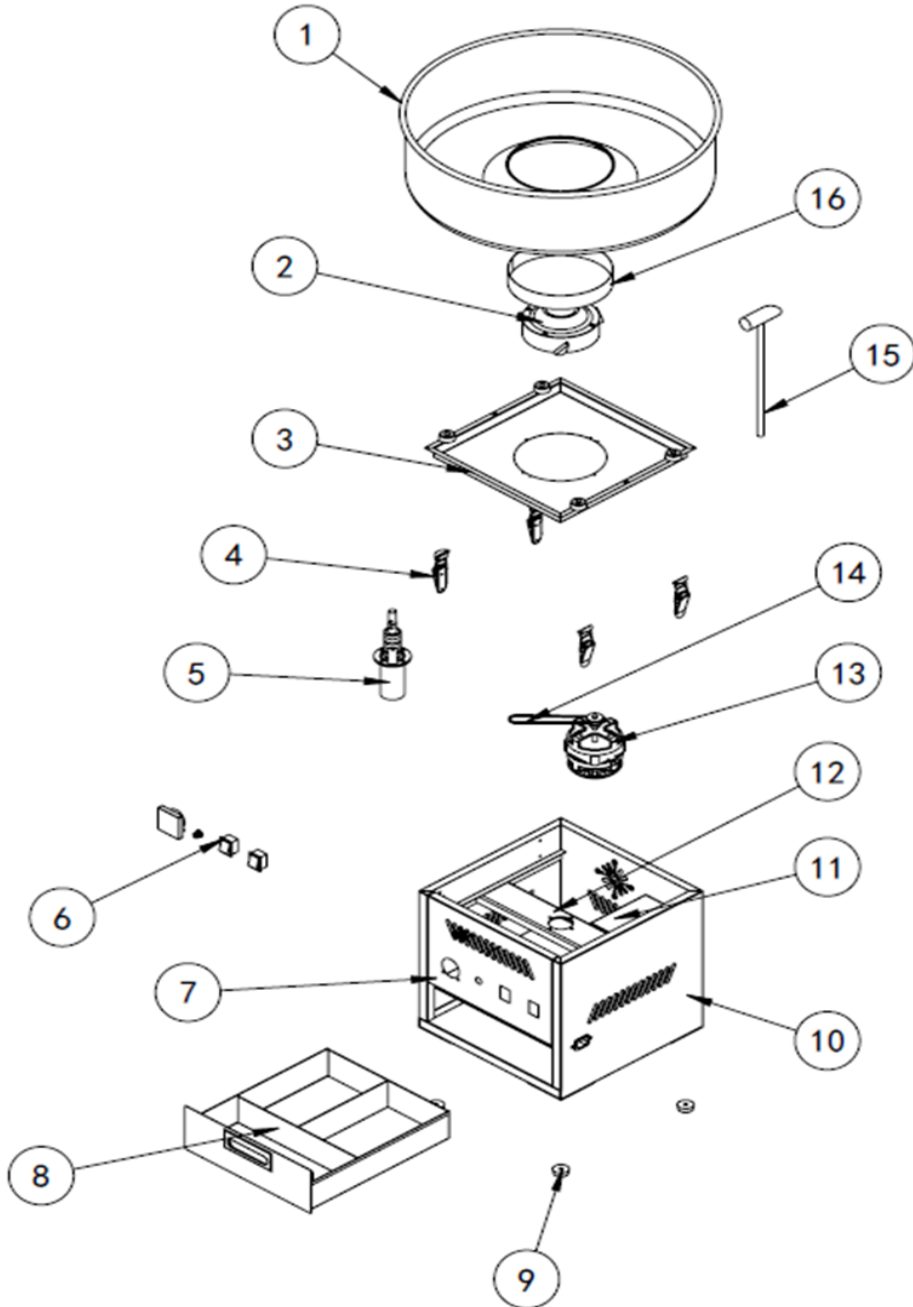
Cotton candy machine

Date 16-05-2023


Revision #

1.0

Revision First Bill of Materials (BOM)



Bill of materials (BOM)

 <b style="font-size: 24pt; font-weight: bold;">HENDI <small style="color: green;">Tools for Chefs</small> Hendi B.V. Steenoven 21 3911 TX Rhenen The Netherlands	Batch #	Appliance part#
	000000 and up	282731
	Description	
	Cotton candy machine	


Date	16-05-2023	Revision #	1.0
Revision	First Bill of Materials (BOM)		

Item	Description	Part#	Quantity	Remark	Picture
1	Cotton candy pan	929124	1		
2	Heating element	n/a	1		
3	Housing cover (top)	n/a	1		
4	Cotton candy pan clamp	960561	4		
5	Axle assembly	n/a	1		
6A	Switch	960578	2		
6B	Fuse	960585	1		
6C	Voltage meter	960592	1		
7	Display sticker	n/a	1		
8	Drawer	n/a	1		
9	Feet	960608	4	Set of 4 pcs	
10	Frame	n/a	1		
11	Motor bracket	n/a	1		
12	Axle bracket	n/a	1		
13	Motor	960615	1		
14	Belt	960622	1		
15	Sugar spoon	960639	1		
16	Sugar pan	n/a	1		
*	Microswitch	n/a	1	Not shown on drawing	
*	Capacitor	n/a	1	Not shown on drawing	
*	Power cord	900680	1	Not shown on drawing	

n/a -> not available

nss -> not sold separately

Circuit diagram

 HENDI Tools for Chefs Hendi B.V. Steenoven 21 3911 TX Rhenen The Netherlands	Batch #	Appliance part#
	000000 and up	282731
	Description	
	Cotton candy machine	

Date	16-05-2023	Revision #	1.0
Revision	First Bill of Materials (BOM)		

