



Supermarket Freezer

SIF900D



Item number	23424410000SIF900D	Taric goods code	8418501190
EAN code	5704704019669	QTY in 40HQ	24

Short Description

Supermarket freezers are ideal both in grocery stores, kiosks, gas stations, etc. and secure with their glass door, a good presentation of the contents of the freezer.
SIF900D holds 690 ltr. net freezing capacity

Freezing temperature range from -15 to -24°C
Cooling function temperature range from +2 to +7°C

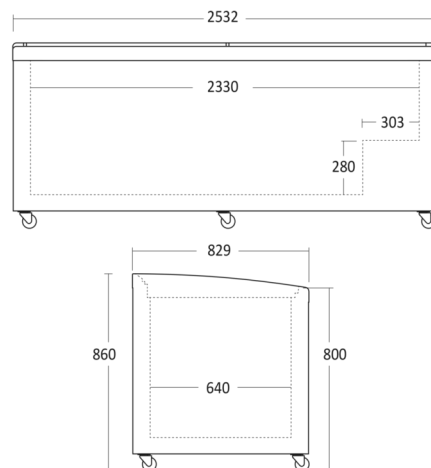
The freezer also comes with light sliding lids and is therefore suitable for self-service, which provides a good opportunity to place the freezer strategically to create focus and additional sales.

Use model SIF600C if an end model for island solution is needed

Key features

- Large curved sliding glass lids with strong aluminum handles
- Dual function - freezer can be converted to cooling 2-7°C
- 10 strong wire baskets and coated white steel inner liner
- LED light inside
- 6 strong castors
- Bumper bar
- Digital thermometer
- Use model SIF600C if end model needed for island solution

Measurement Drawings



Dimensions and weight

Product dimensions, HxWxD, mm	860 x 2532 x 829
Product depth w/handle, mm	829
Packaging dimensions, HxWxD, mm	895 x 2580 x 880
Gross volume, L	900
Net volume, L	690
Gross- / Net volume, L	900 / 690
Internal dimensions, HxWxD, mm	500 x 2330 x 640
Gross- / Net weight, kg	160 / 140

Performance and consumption

Energy efficiency class	D
Daily Energy Consumption, kWh/24	7,67
Annual energy cons. kWh/a	2800
Energy Efficiency Index (EEI)	38,3
Noise level, dB(A)	70
Refrigeration / freezing technique	Static
Climate class	4
Temperature class	L1
Type of refrigerant / gas gr.	R290a / 145
Temperature range °C	-15 / -24

Installation and power

Voltage / hertz, V/hz	230 / 50
Peak power watt, W	480
Watt / Ampere, W/A	400 / 2.5
Length of Powercord, cm	200

Design and comfort

Controller	Digital
Control panel	Outside
Digital display	Yes
Internal light	Horizontal LED
External thermometer	Yes
Door- / lid type	Sliding
Handle	Outside
Number of castors, pcs	6 castors (2 w/brake)
Lock & Key	No

Colour and material

Outside colour	Dark Grey
Inside Colour	White
Colour and material of door/lid	Sliding glass

Features

Number of baskets, pcs	10
Basket Size (HxWxD) (mm)	168x230x643
Max loading per shelf/basket, kg	20

scandomestic

Scandomestic A/S . Linåvej 20 . DK-8600 Silkeborg . Tel.: +45 7242 5571 . www.scandomestic.dk