



Ice Cream Freezer

IC155D



Item number	23424310000IC155D	Category 4 Taric Codes	8418501190
EAN code	5704704019515	QTY in 40HQ	169

Short Description

Ice cream freezers are ideal both in grocery stores, kiosks, gas stations, hotels, restaurants, etc. and secure with their glass door, a good presentation of the freezer's contents.

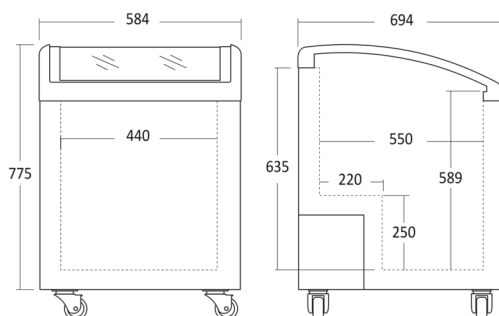
The IC155D holds 94 ltr. freezing capacity;

They also come with lightweight sliding lids and are therefore suitable for self-service, which provides a good opportunity to place the cabinet strategically to create focus and additional sales.

Key features

- Curved sliding glass lids
- 2 strong wire baskets including 2 dividers in each
- 4 strong castors
- Suitable for branding
- Light sign sold separately
- Coated white steel inner liner

Measurement Drawings



Dimensions and weight

Product dimensions, HxWxD, mm	850 x 584 x 694
Product depth w/handle, mm	694
Packaging dimensions, HxWxD, mm	895 x 625 x 770
Total packaging volume m3	0,431
Gross volume, L	137
Net volume, L	94
Gross- / Net volume, L	137 / 94
Internal dimensions, HxWxD, mm	590 x 440 x 550
Gross- / Net weight, kg	53 / 48

Performance and consumption

Energy efficiency class	D
Daily Energy Consumption, kWh/24	1,21
Annual energy cons. kWh/a	440
Energy Efficiency Index (EEI)	41,13
Noise level, dB(A)	70
Refrigeration / freezing technique	Static
Climate class	7
Temperature class	C1
Type of refrigerant / gas gr.	R290a / 60
Bulb Watt, W	None
Temperature range °C	-18 / -24

Installation and power

Voltage / hertz, V/hz	230 / 50
Peak power watt, W	230
Watt / Ampere, W/A	200 / 1.5
Length of Powercord, cm	200

Design and comfort

Controller	Mechanical
Control panel	Outside
Digital display	No
Canopy light sign	No - available as spare part
Internal light	No light
External thermometer	Yes
Door- / lid type	Sliding
Handle	Integrated
Number of castors, pcs	4 castors (2 w/brake)
Lock & Key	Yes

Colour and material

Outside colour	White
Inside Colour	White
Colour and material of door/lid	Sliding glass

Features

Number of baskets, pcs	2
Basket Size (HxWxD) (mm)	Yes
Max loading per shelf/basket, kg	15

scandomestic

Scandomestic A/S . Linåvej 20 . DK-8600 Silkeborg . Tel.: +45 7242 5571 . www.scandomestic.dk