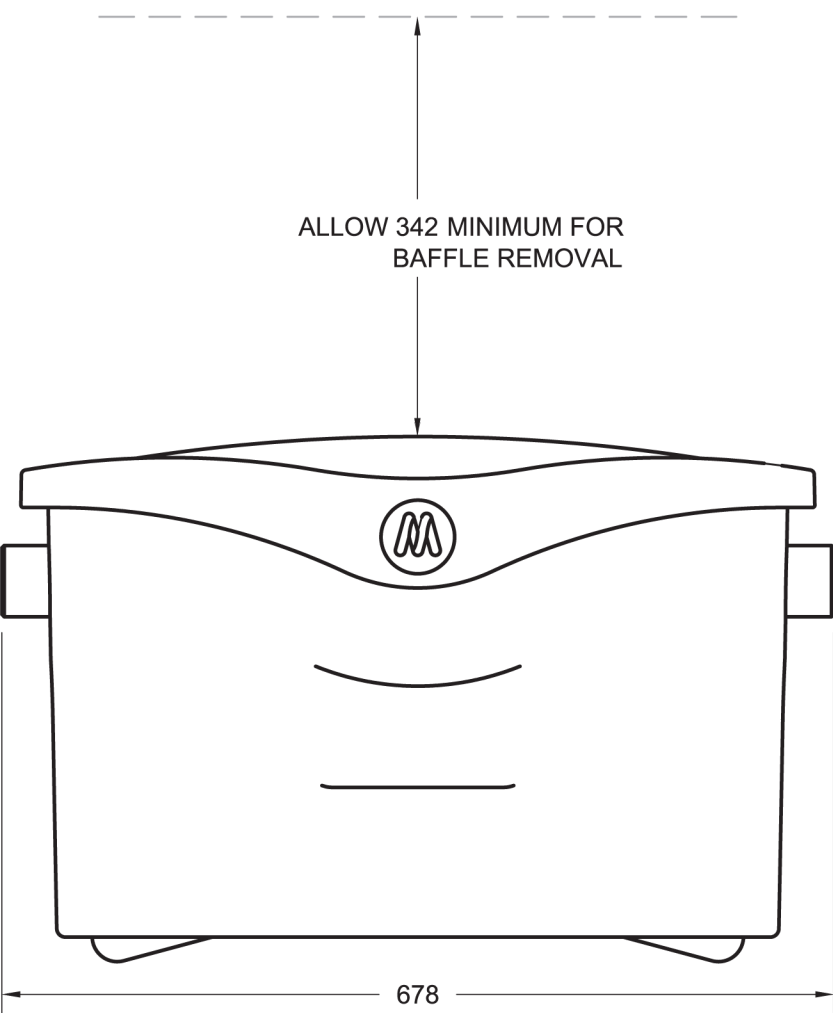


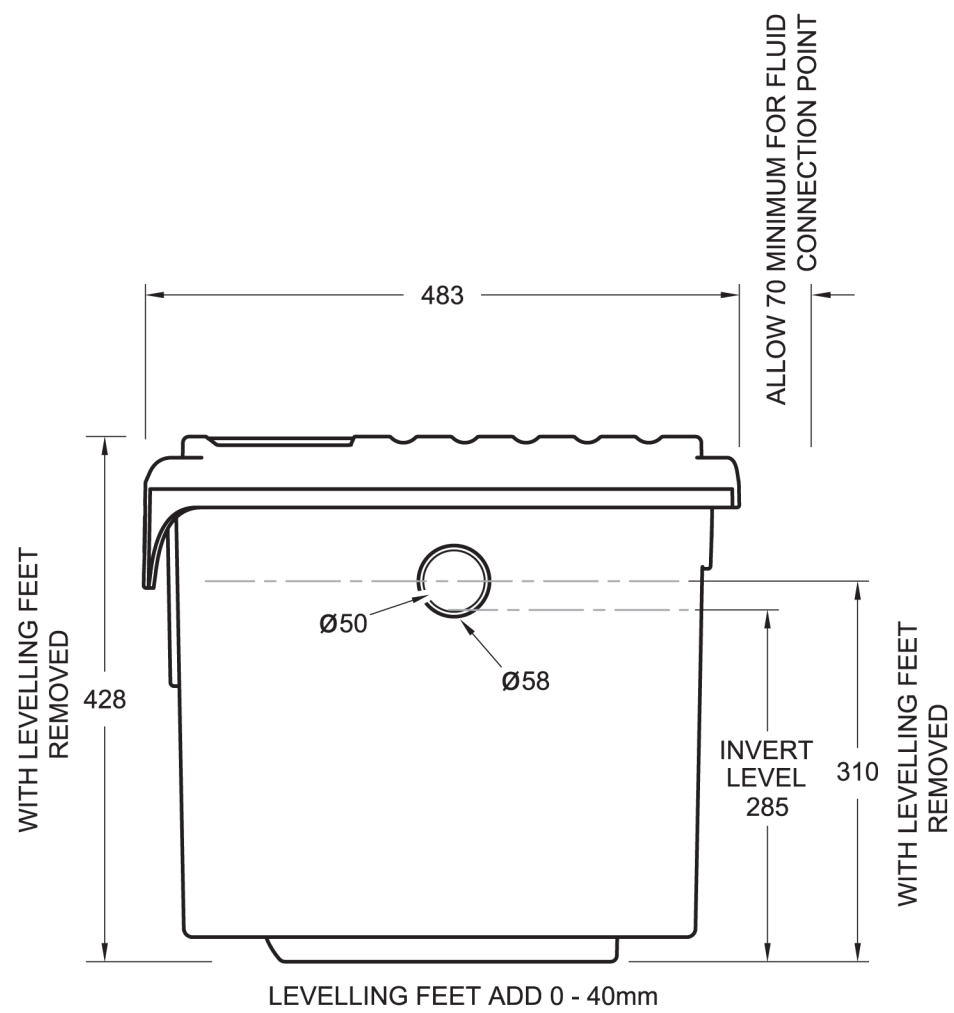
BioCeptor F.I.T Unit:



ALLOW 342 MINIMUM FOR
BAFFLE REMOVAL

678

FRONT VIEW



483

ALLOW 70 MINIMUM FOR FLUID
CONNECTION POINT

WITH LEVELLING FEET
REMOVED

428

$\varnothing 50$

$\varnothing 58$

INVERT
LEVEL
285

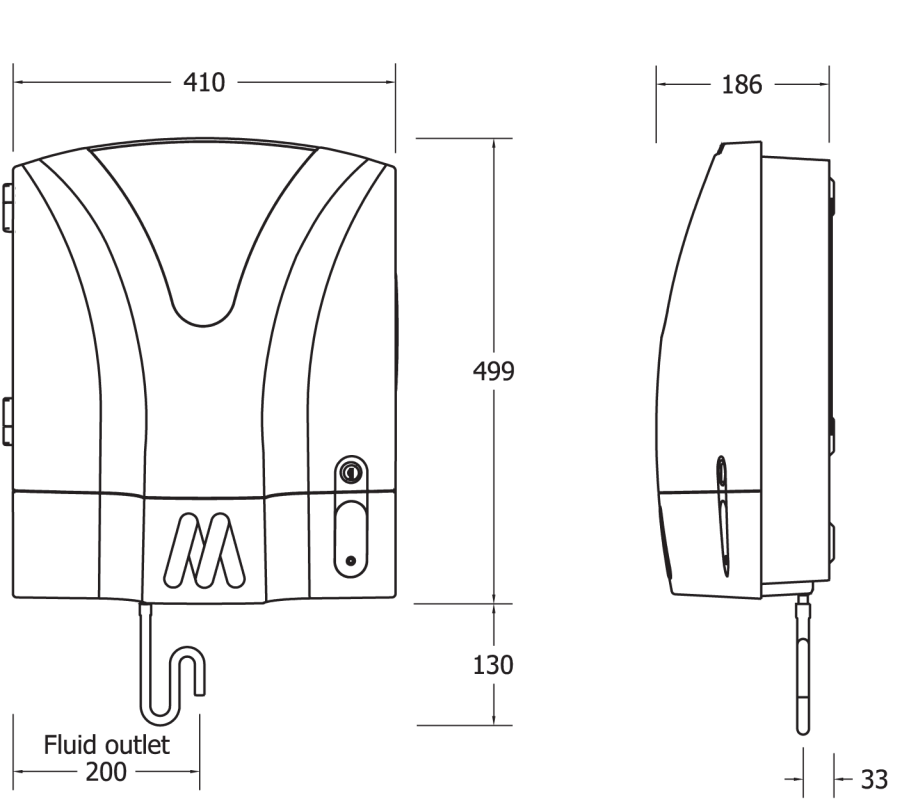
310

WITH LEVELLING FEET
REMOVED

LEVELLING FEET ADD 0 - 40mm

SIDE VIEW

GreasePak Dosing Module:



410

499

Fluid outlet
200

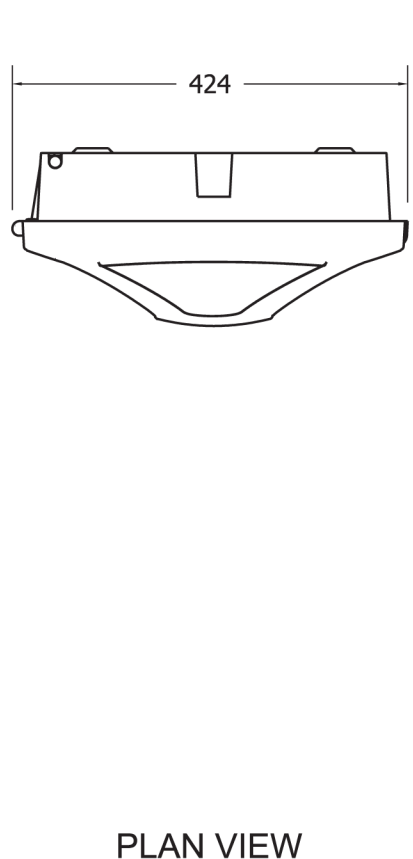
130

186

33

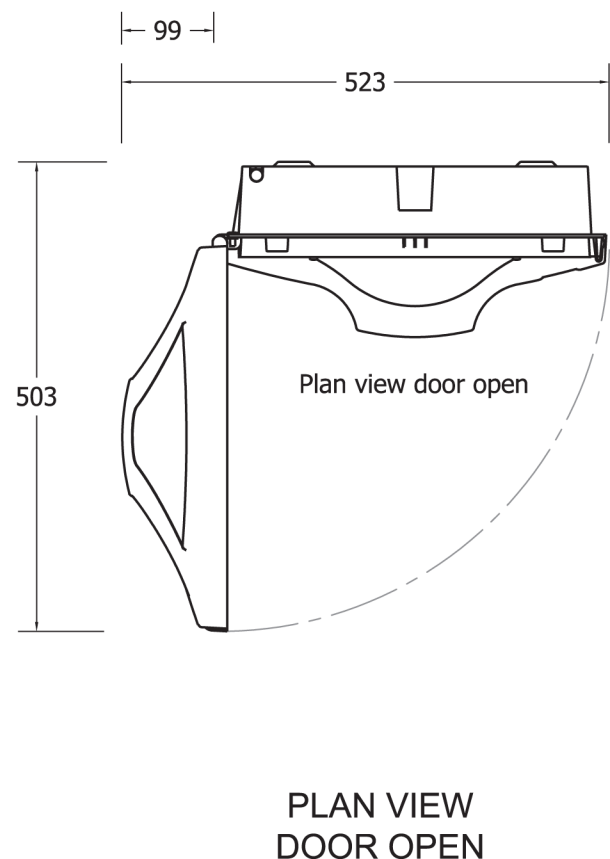
FRONT VIEW

SIDE VIEW



424

PLAN VIEW



99

523

503

Plan view door open

PLAN VIEW
DOOR OPEN