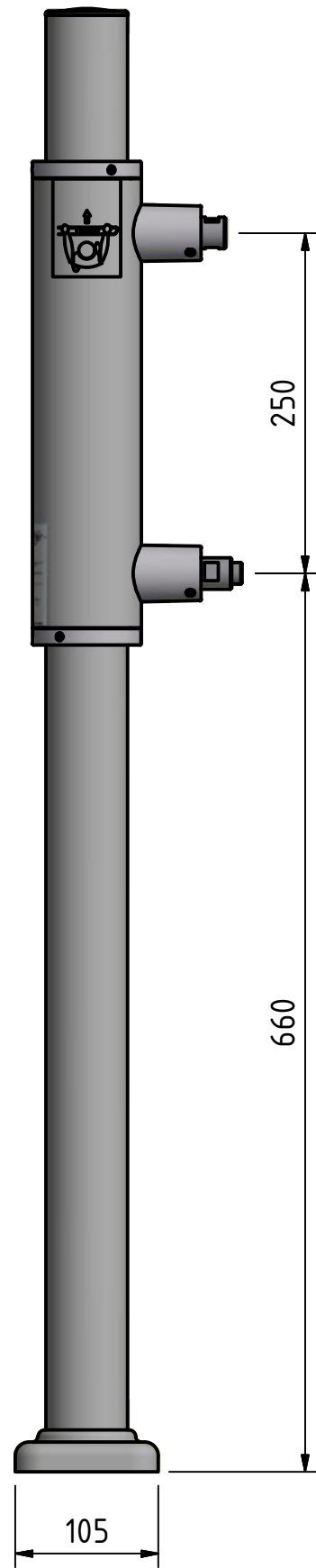
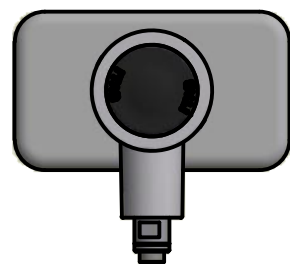
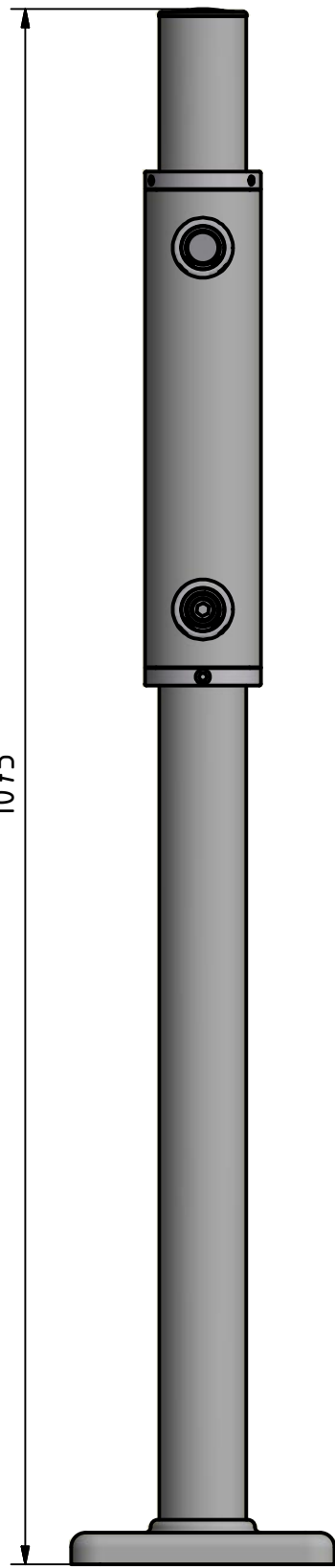
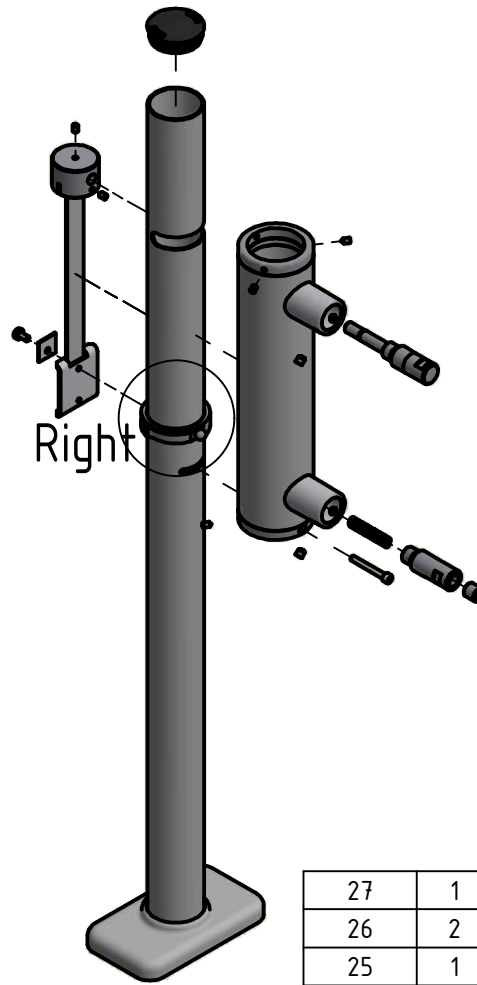
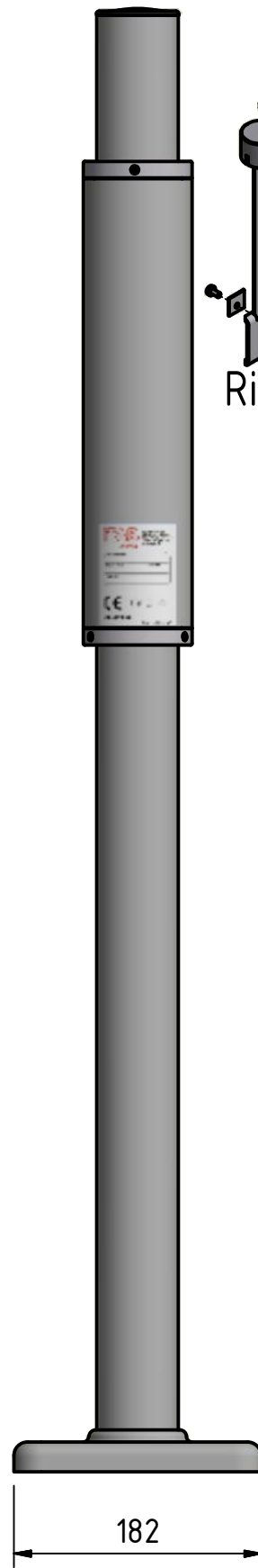


1075

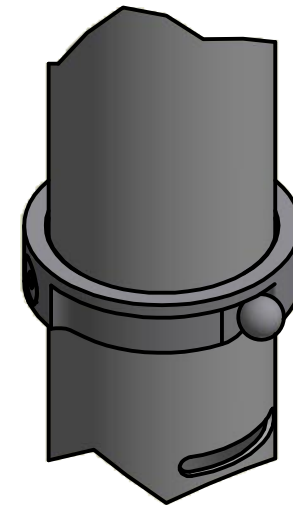


660

250



Right



Right (1 : 2)

Nr	Ändring	Datum	Inf.	Godk.
A	Component details have been changed	121009	mujo	
B	10856-80 been changed (+2 Flat springs, -3 Flat springs)	121220	mujo	
C	+29017-01, -10898-30 10853-80, 10856-80 has been changed	150304	mujo	
D	(+3 Flat springs, -2 Flat springs)	150826	mujo	
E	+27419-01,+ 10970-10	180504	mujo	

Nr	Variant	Surface	Quality	Datum
1	-10	Chrome	Ni/Cr 20 µm	111216
2	-20	Powder coating		120301
3	-80	Untreated		120301

27	1	Screw M6*50 DIN612	Galvanized Steel 8.8	29017-01
26	2	Popnut M6 UKO 30	Steel galvanized	28683-30
25	1	Product Label 77x60	Siverpolyester 7872EC Blank	27419-01
24	1	Label Cash Grind Panic 72x52	Polyester 7872	10970-10
23	1	Shims plate	Q235	10897-80
22	1	Supporting ring	Q235	10896
21	1	Shims	Q235	10895-80
20	1	Stop profile	EN 32	10856-80
19	1	Locating pin	SS1914	10855-30
18	2	Bearing Ø60.5xØ78x10		10854
17	3	Spring	SUS301H Spring Steel	10853-80
16	1	Spring holder lower part	Q235	10852-30
15	1	Spring holder upper part	SS 1914	10849-30
14	1	Supporting ring	Q235	10848
13	1	Tube weld		10845
12	1	Post weld		10843
11	2	Screw M6x14 DIN 7991	Steel 10.9 galvanized	10842-30
10	1	Compression spring Ø11xØ2.5x55	Ventilfjäders.	10836-80
9	1	Mounting pin	AISI 1113	10835-30
8	7	Screw M6x10 DIN 914	Steel 45H	10823-30
7	2	Gate fastener R40	Al Alloy 102	10804
6	1	Upright base cover Ø60	DC04 shiny surface Ra max=0.4µm	10268
5	1	Top cap Ø60 with logo	PE	10212
4	4	Screw M8x8 ribbed bottom DIN 916	Steel 45H	077031
3	1	Steel ball Ø12	AISI 1010-16	076032
2	1	Screw M16x2x16 DIN913	-	071214
1	1	Skruv MRX 6x12	-	051505

Item	Qty	Title	Material	Part number
Designer	Drawer	Approved	Where no tolerance is specified:	Scale
	169mure		SS-ISO 2768-m	1 : 5
			Replaces	Replaced by
Push gate Ø60 right			Weight	Date
			Dwg.no.	4/4/2012
			10861	E